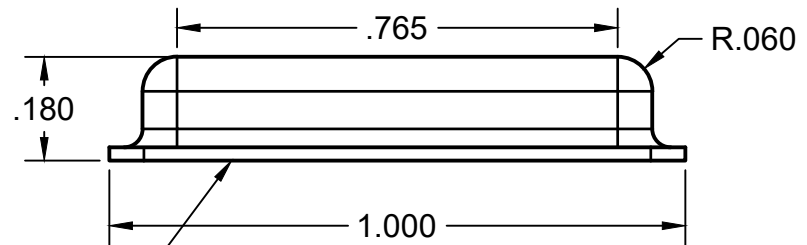
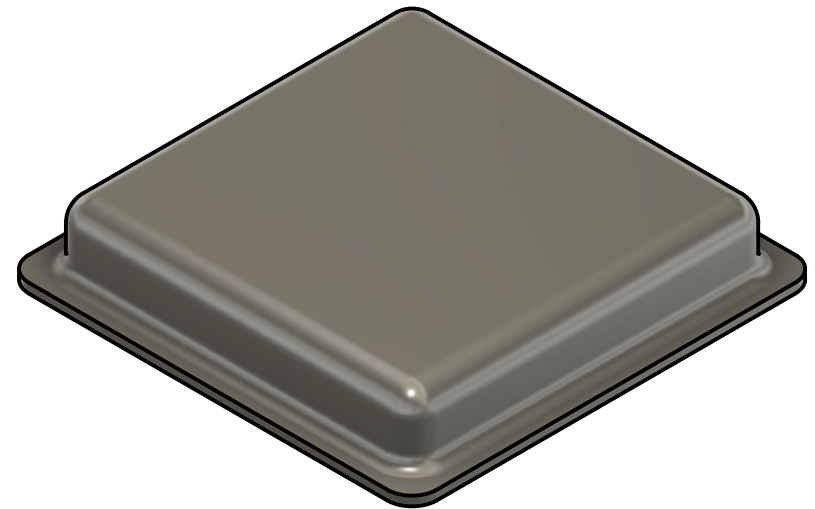
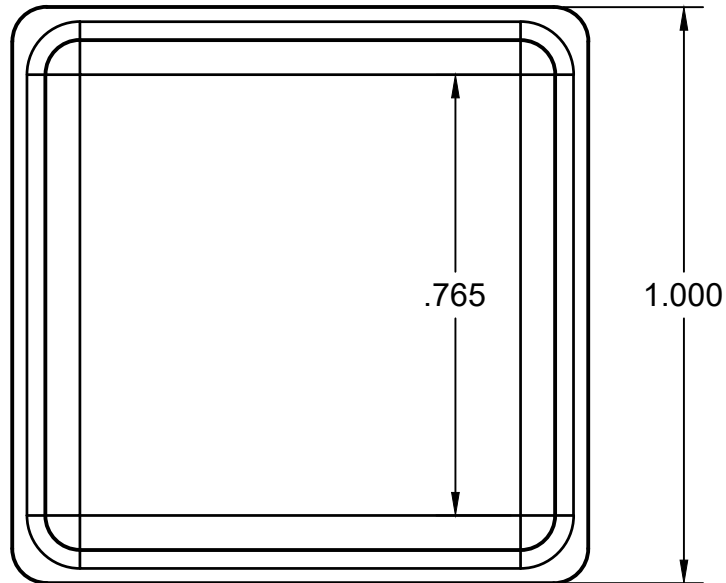


ALL DIMENSIONS IN INCHES



Pressure-Sensitive Adhesive

Nominal web thickness = 0.030"



**MADE IN  
THE USA**

**COMPANY**  
 Bumper Specialties, Inc.  
 1607 Imperial Way, West Deptford, NJ 08066  
 (856)-345-7650  
 www.BumperSpecialties.com

<b>TOLERANCE</b> ± 0.020"	<b>DUROMETER, SHORE A</b> 60-70 Standard	<b>MATERIAL</b> Polyurethane
<b>PART NO BS36</b>	<b>DRAWN 11/11/19</b>	<b>REV 1</b>
		<b>SHEET 1 of 1</b>